



DATA SHEET

TPG 12-120

12V 120Ah

SPECIFICATION

VOLTAGE	12V	
CAPACITY (25°C)	120Ah	
DIMENSIONS	Length	406±2mm (15.98 inches)
	Width	172±2mm (6.77 inches)
	Height	208±2mm (8.19 inches)
	Total height	237±2mm (9.33 inches)
WEIGHT	36,6 kg	
TERMINAL	M8	
BOX	ABS	
	124.0 Ah	(20hr, 6.2A, 10.5V)
	120.0 Ah	(10hr, 12.0A, 10.5V)
	103.0 Ah	(5hr, 20.6A, 10.5V)
	89.4 Ah	(3hr, 29.8A, 10.5V)
67.2 Ah	(1hr, 67.2A, 10.5V)	
DISCHARGE CURRENT TESTING (25°C)		
MAX. DISCHARGE CURRENT	1000 A (5s)	
INTERNAL RESISTANCE	5.0 mΩ	
TEMPERATURE RANGE	Discharge:	-15°C ~ +50°C
	Charge:	0°C ~ +40°C
	Storage:	-15°C ~ +40°C
CYCLE WORK	Max. charge current 36.0 A, recommended 12.0A	
	Voltage 14.5V ~ 14.9V [25°C (77°F)]	
STANDBY WORK	Max. charge current 36.0A, recommended 12.0A	
	Voltage 13.6V ~ 13.8V [25°C (77°F)]	
CAPACITY AFFECTED BY TEMPERATURE	40°C (104°F)	104%
	25°C (77°F)	100%
	0°C (32°F)	83%
	-15°C (5°F)	65%
SELF-DISCHARGE	The TPG series can be stored for up to 6 months without charging at 25°C. After this time the batteries should be charged.	

APPLICATION

- Emergency Power Supply (UPS)
- Emergency Lighting Systems
- Telecommunications Power Plants
- Alarm and Fire Protection Systems
- Measuring Devices
- Campers
- Boats
- Toys

SAFETY



CONSTANT CURRENT DISCHARGE CHARACTERISTICS ([A], 25°C)

F.V/Time	10min	15min	30min	1h	2h	3h	5h	8h	10h	20h
9.60V	239.6	205.1	125.3	71.9	42.9	31.5	21.4	13.2	12.2	6.3
10.2V	229.8	197.6	121.2	69.8	24.3	30.6	20.9	12.8	12.1	6.2
10.5V	214.5	187.6	118.2	67.2	42.1	29.8	20.6	12.3	12.0	6.2
10.8V	198.6	174.5	116.1	64.6	41.4	28.7	20.3	11.8	12.0	6.1

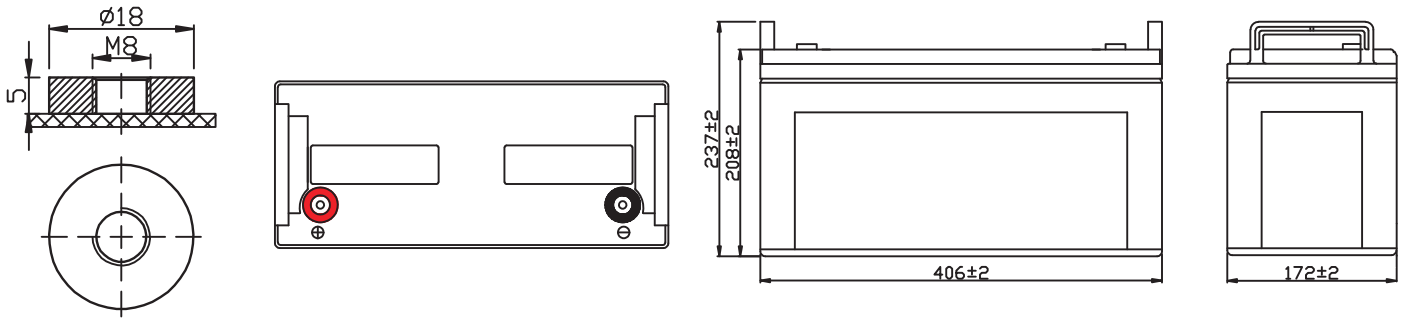
CONSTANT POWER DISCHARGE CHARACTERISTICS (Watt [W], 25°C)

F.V/Time	10min	15min	30min	1h	2h	3h	5h	8h	10h	20h
9.60V	2635.6	2256.1	1441.0	826.9	497.6	365.4	248.2	160.1	141.8	73.1
10.2V	2550.6	2213.1	1405.9	809.7	490.7	354.5	244.8	156.6	140.6	71.9
10.5V	2402.8	2119.9	1382.9	786.2	488.4	345.7	242.4	152.0	139.5	72.4
10.8V	2244.3	1989.3	1370.0	762.3	480.2	332.9	236.6	146.2	138.3	70.8

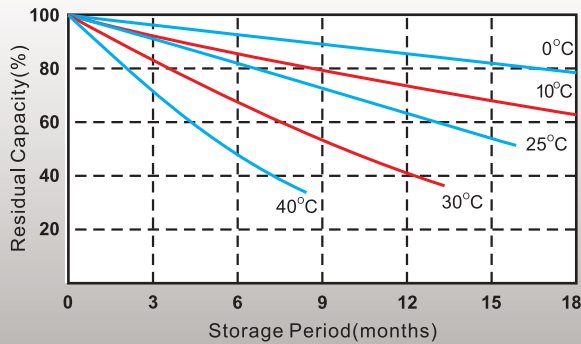
PLANE CHART

M8 TERMINAL

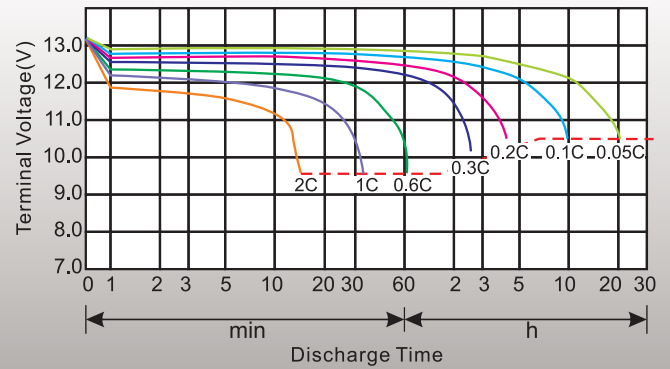
Unit: mm Terminal type: T2



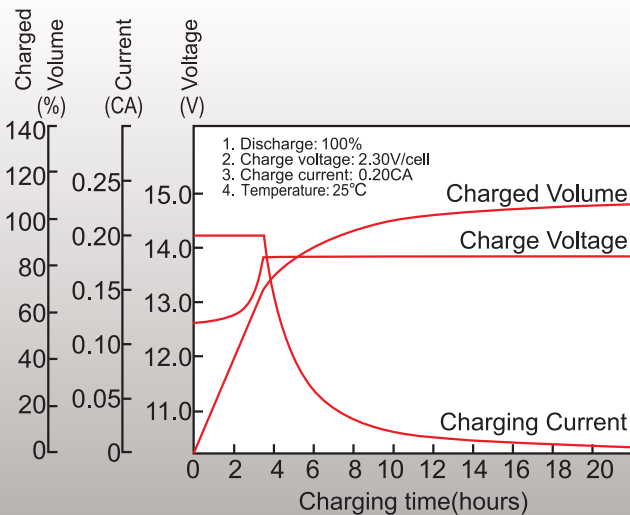
RESIDUAL CAPACITY



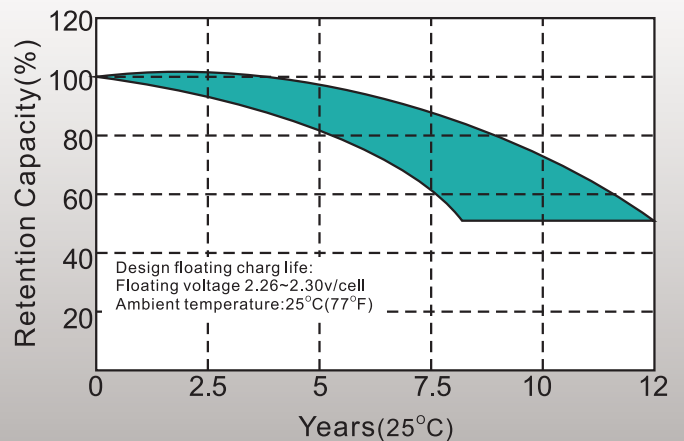
DISCHARGE CURRENT (25°C)



CONSTANT VOLTAGE CHARGING CHARACTERISTICS



FLOAT LIFE



AKUMAR S.C.

ul. Cmentarna 11/2

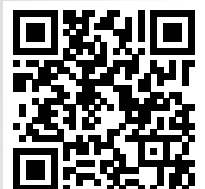
62-020 Swarzędz

Telefon: 61 651 54 58

Kom.: 537 113 272

Email: maciej@akumar.pl

USED BATTERIES AND ACCUMULATORS ARE CLASSIFIED AS HAZARDOUS WASTE. DUE TO ITS ORIGIN, CHEMICAL COMPOSITION (THEY CONTAIN HEAVY METALS SUCH AS LEAD AND OTHER TOXIC SUBSTANCES) AND OTHER PROPERTIES, THIS TYPE OF WASTE MAY CONSTITUTE A THREAT TO THE LIFE OR HEALTH OF HUMANS, ANIMALS OR THE ENVIRONMENT. IN ACCORDANCE WITH THE WASTE ACT, WASTE IN THE FORM OF BATTERIES AND ACCUMULATORS SHOULD BE COLLECTED SEPARATELY FROM OTHER TYPES OF WASTE. IN ORDER TO OBTAIN MORE DETAILED INFORMATION, WE ENCOURAGE YOU TO CONTACT US, WE WILL PROVIDE ALL INFORMATION ON HOW TO DEAL WITH USED BATTERIES AND ACCUMULATORS.



akumar+