

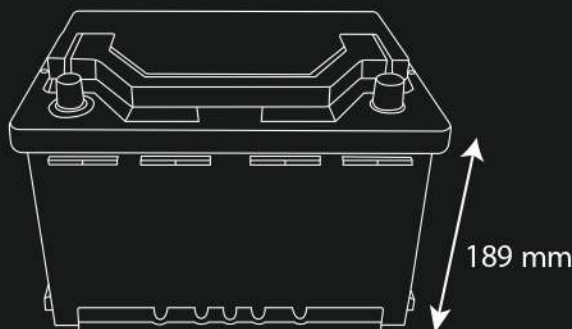
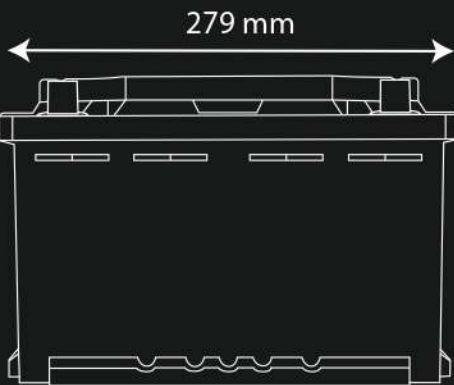
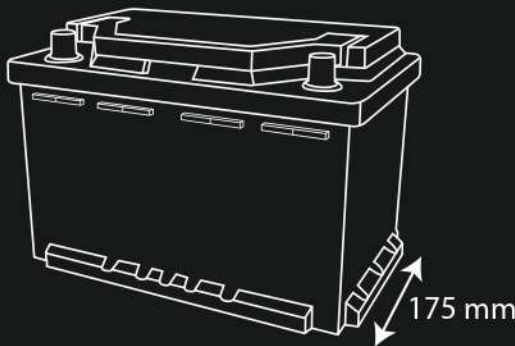


OLA-12-100-SLN3



4.0
Bluetooth
Low Energy

BASIC INFORMATION



Olalitia Smart BMS LiFePO4 Battery



Basic information	Model	OLA-12-100-SLN3
	BMS (Battery Management System)	Integrated
	Rated capacity	100Ah / 1280Wh
	Rated voltage	12.8V
	Number of cycles	>6000 @ 90% D.o.D
	Weight	10.7kg
	Dimensions (L x W x H)	279*175*189mm
	Operating voltage range	10 -14.6V
	Warranty	3 years
Charge	Charging characteristics	CCCV / IU
	Recommended charge voltage	14.6V
	Recommended charge current	20A
	Maximum charge current	50A
Discharge	Continuous discharge current	100A
	Maximum discharge cut-off current	300A (200~500ms)
Temperature	Discharge temperature range	-20 ~ 75 °C
	Charge temperature range	0 ~ 50 °C
	Storage temperature range	-5 ~ 35 °C
Material	Material of case	ABS
	Terminals	M8
	Ingress protection code	IP65
Intelligent monitoring	Bluetooth	Integrated Bluetooth 4.0 module Allowing to control and read the status of the battery and showing errors under extreme condition like overloads, overheating and short circuit, etc. on your smart-phone
	Connection	Max. 4 Series and 4 Parallel connection

PERFORMANCE CHARACTERISTIC


EUROPE QUALITY

- The safest technology, without risk of fire or explosion
- Long useful life
- Constant improvement of the capacity of storage
- Great stability even under extreme loads
- No memory effect, no need to completely cycle

APPLICATIONS

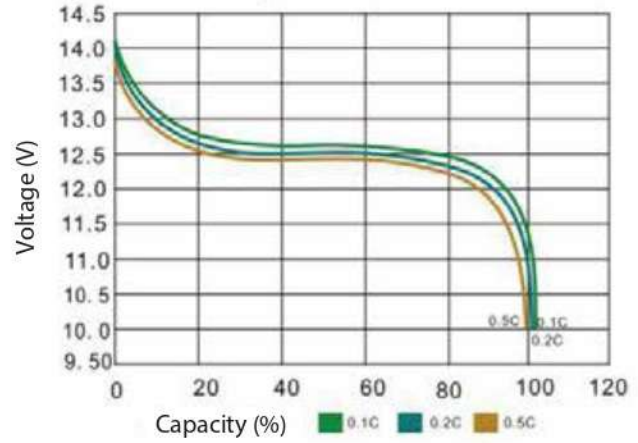
 Motorhome; Caravan

 Boat; Yacht

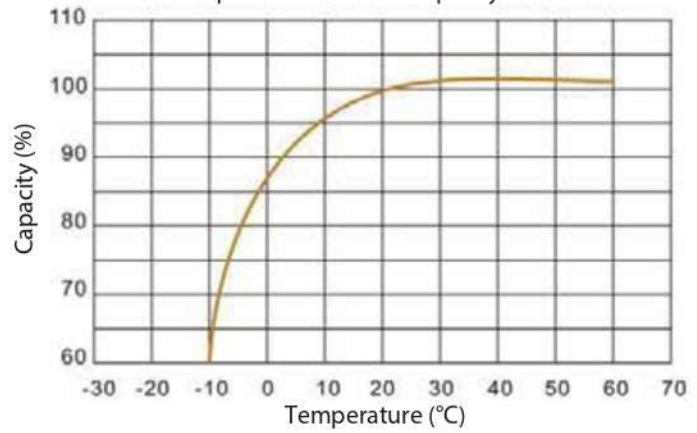
 Photovoltaic; Renewable energy



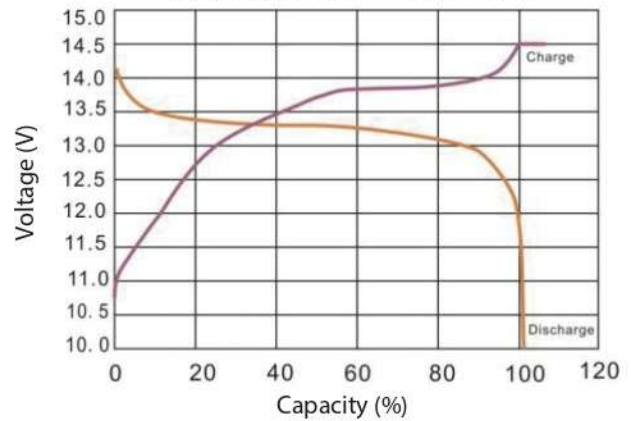
Discharge performance at 25°C



Temperature effect on capacity at 0.2C



Charge and Discharge at 25°C, 0.2C



Cycle Life with DOD at 25°C, 0.2C

