



MWP 7,2-12L

Accordance with standards

PN-EN 60896-21:2007
 PN-EN 60896-22:2007
 PN-EN 61056-1:2013-05
 PN-EN 61056-2:2013-05
 PN-E-83016:1999

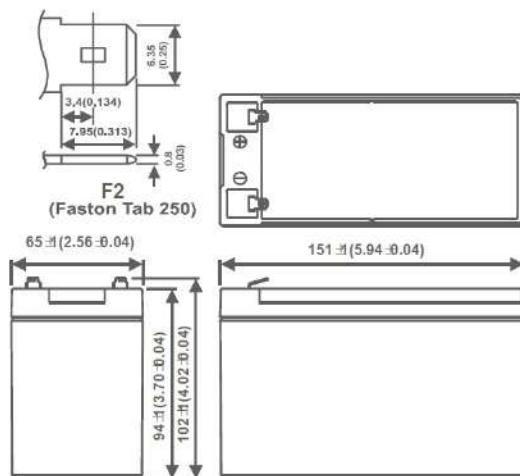
MWP series MW Power batteries are made in VRLA (AGM) technology and they are dedicated to use in emergency power supply and also other different applications where battery works in cycle use. Preferred applications of this battery series: emergency power supply UPS, in automatic

systems, as energy source in mobile devices, power supply for motors and other different devices in cycle use mode. 600 work cycles for 50% discharge. 12 years designed lifetime at 20-25°C.

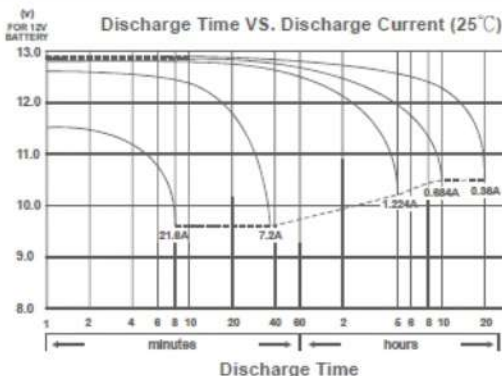
Specification		
Nominal voltage		12V
Nominal capacity		7,2 Ah
Dimensions	Length	151 mm
	Width	65 mm
	Height	94 mm
	Total height	102 mm
Weight		2,4 kg



Dimensions mm (inches)



Discharge characteristic



Characteristic		
Capacity at 25°C and cutoff voltage of 10,2V	20h	7,2 Ah
	10h	7,0 Ah
	5h	6,3 Ah
Internal resistance	Battery fully charged	22 mΩ
Capacity	At 20°C	100%
	At 0°C	85%
	At -15°C	65%
Self-discharge	3 months	90%
	6 months	80%
	12 months	65%
Connector/Case	F2 / ABS UL94HB	
Charging	Buffer	13,5-13,8 V
	Cyclic	14,4-15,0 V
Max charge current	2,16 A	
Max discharge current	108A / 5s	
Working temperature	Discharge	-20°C—50°C
	Charge	-20°C—50°C
	Storage	-20°C—50°C

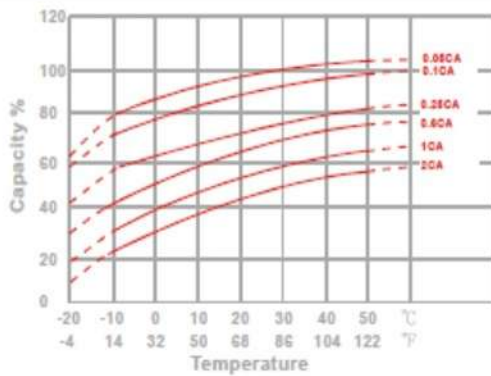


MWP 7,2-12L

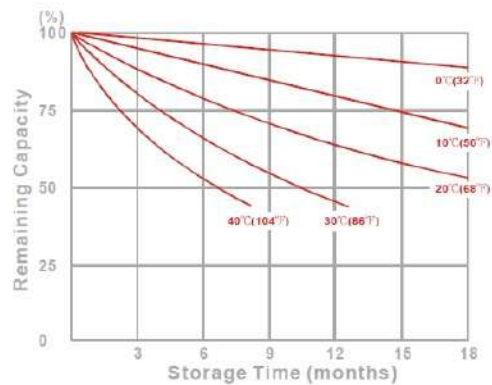
Accordance with standards

- PN-EN 60896-21:2007
- PN-EN 60896-22:2007
- PN-EN 61056-1:2013-05
- PN-EN 61056-2:2013-05
- PN-E-83016:1999

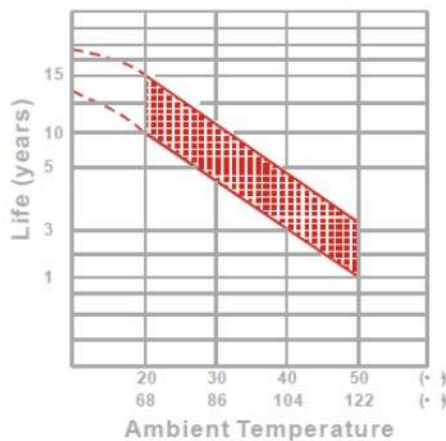
Temperature impact on battery capacity



Characteristic of capacity drop during storage



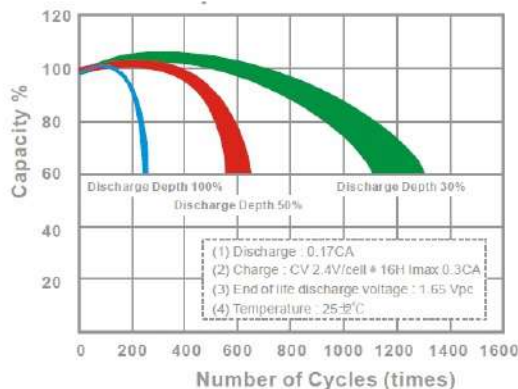
Battery lifetime for buffer use mode



Constant power discharge characteristic (Watt, 25°C)

Voltage	11,1 V	10,8 V	10,5 V	10,2 V	9,9 V	9,6V
5 min	288	302	315	321	326	335
10 min	188	196	204	209	212	218
15 min	153	157	161	162	165	169
30 min	82,1	84,7	86,8	87,6	88,4	89,6
60 min	52,4	53,8	54,9	55,3	55,8	56,7
120 min	26,3	27,8	31,3	31,6	31,9	32,4
180 min	20,7	21,6	22,4	22,6	22,9	23,2
240 min	18	18,6	18,9	19	19,2	19,4
300 min	15,3	15,8	16,1	16,2	16,3	16,4
600 min	8,35	8,49	8,61	8,65	8,7	8,76
1200 min	4,31	4,42	4,5	4,53	4,56	4,62

Battery lifetime for cycle use mode



Constant current discharge characteristic (A, 25°C)

Voltage	11,1 V	10,8 V	10,5 V	10,2 V	9,9 V	9,6V
5 min	26,4	28,1	29,7	30,5	31,3	32,6
10 min	17	18,2	18,6	18,8	19,1	19,8
15 min	13,1	13,6	13,9	14	14,2	14,5
30 min	6,92	7,14	7,3	7,38	7,45	7,61
60 min	4,13	4,25	4,36	4,39	4,42	4,48
120 min	2,14	2,21	2,27	2,29	2,32	2,35
180 min	1,69	1,75	1,8	1,82	1,84	1,87
240 min	1,37	1,42	1,45	1,46	1,47	1,49
300 min	1,16	1,23	1,25	1,26	1,27	1,28
600 min	0,68	0,721	0,728	0,732	0,737	0,747
1200 min	0,357	0,377	0,382	0,384	0,387	0,392