



MWs 5-12 12V 5Ah

Compliance with standards

PN-EN 60896-21:2007
 PN-EN 60896-22:2007
 PN-EN 61056-1:2008
 PN-EN 61056-2:2003(U)
 PN-E-83016:1999

Batteries **MW Power** series **MW-S** are designed mainly for use in control panels charging systems. Thanks to profitable quality/ price relation, the batteries MW-S gained recognition of many clients. The batteries of this type can also be used as a source of charging in portable devices. Service life is 3-5 years for 20-25 °C.

Specification

Nominal voltage	12 V	
Nominal capacity	5,0 Ah	
Dimen- sions	Lenght	90 mm
	Width	70 mm
	Height	101 mm
	Total height	107 mm
Weight	1,5 kg	

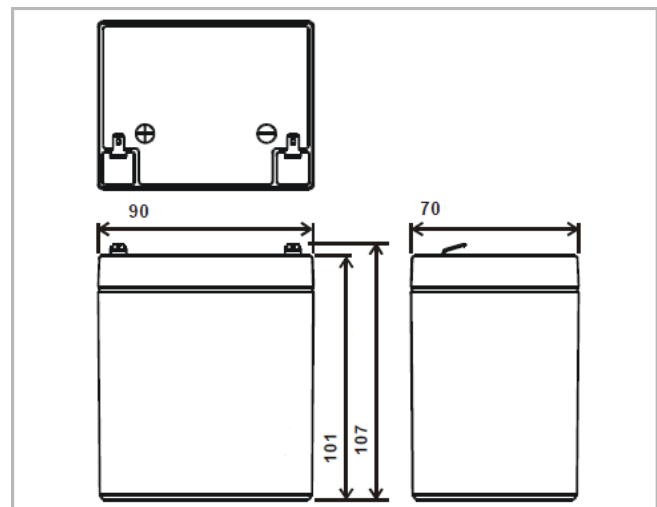
Characteristic

Capacity for 25 ° C and cut-off voltage 10.5 V	20h	5,0 Ah
	10h	4,60 Ah
	5h	4,20 Ah
Internal resistance	charged battery	39 mΩ
Capacity	for 20°	100%
	for 0°C	85%
	for -15°C	65%
Self-discharge	3 m-ths	91%
	6 m-ths	82%
	12 m-ths	64%
Terminal	Fast-on 187 (T1)	
Charging	Standby use	13,50-13,80V
	Cyclic use	14,40-15,00V
Max. charge current	1,5 A	
Max. discharge current	50 A (5 sec.)	

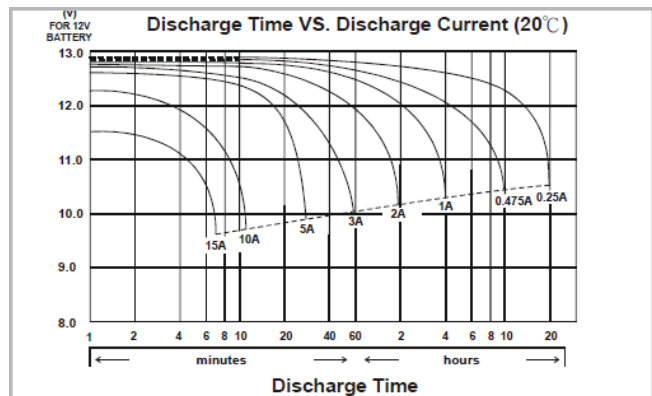
Temperatures of work:
 Discharging: -20°C ÷ 50°C
 Charging: -20°C ÷ 50°C
 Storage: -20°C ÷ 50°C



Dimensions



Input-discharge at 25 ° C



Terminal

